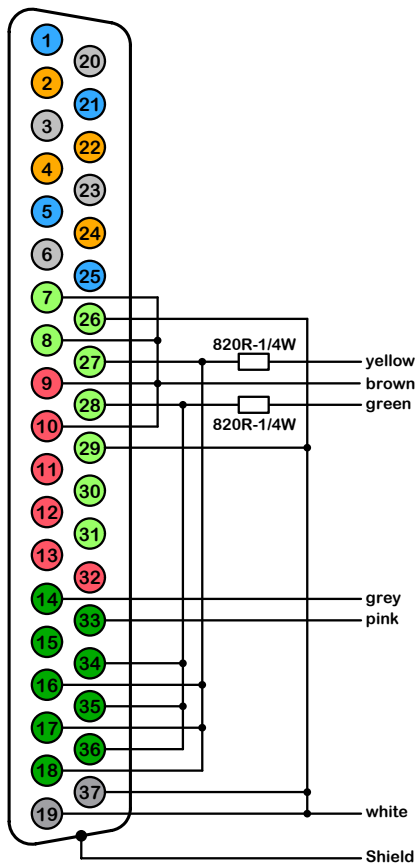
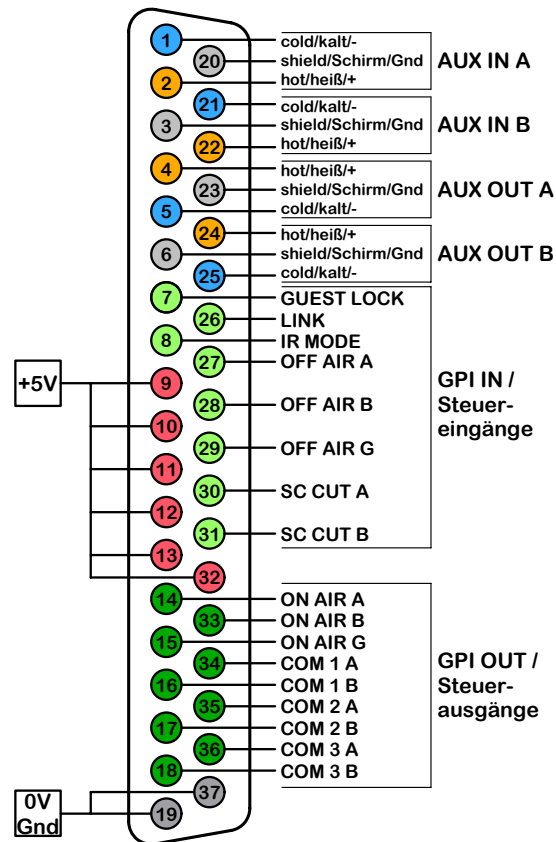


**AIRCOM-IR Interpreter Remote
Connector with Option "ComLink"**



**AIRCOM UNIT
Connector REMOTE GPI/AUDIO**



Activation of GPI IN:
IR MODE: connect to +5V
All others: connect to 0V

GPI OUT:
active: connected to 0V
non-active: open circuit, but limited to 0V...5V range

J. Fhl
Zhl